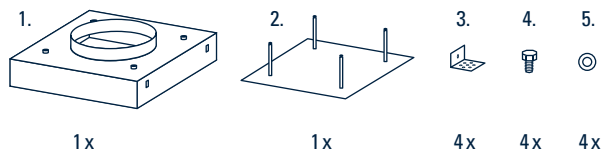


VENT ONE PLUS 100/125/160

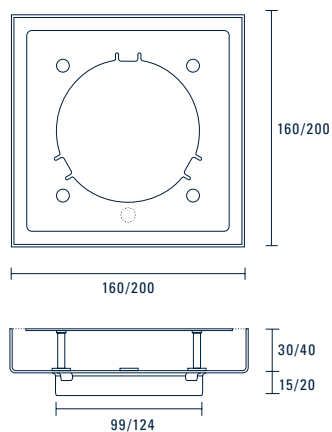


Scope of delivery

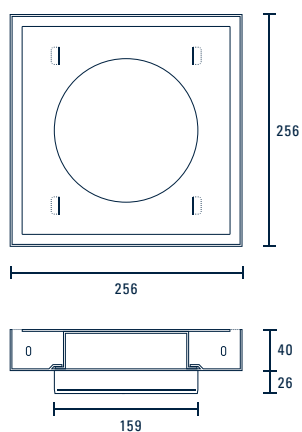
- 1. Vent housing (1x), e.g. Vent ONE PLUS 100/125
- 2. Vent cover (1x), e.g. Vent ONE PLUS 100/125
- 3. Perforated metal angle (4x)
- 4. Vent bolts (4x)
- 5. Washers (4x)

Installation instructions shown on the example of vent ONE PLUS 100/125. Vent ONE PLUS 160 in the same way.

DN 100/125

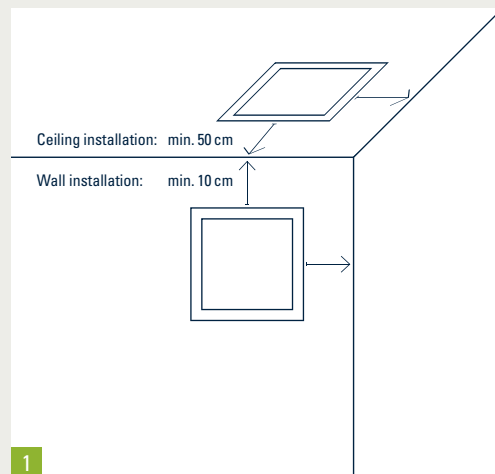


DN 160



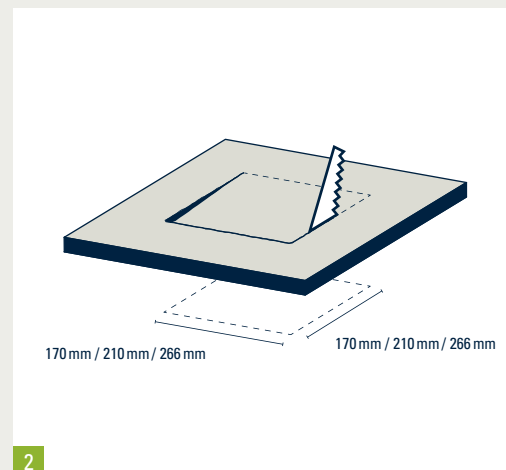
Technical drawing Vent ONE PLUS 100/125/160

All dimensions in mm.



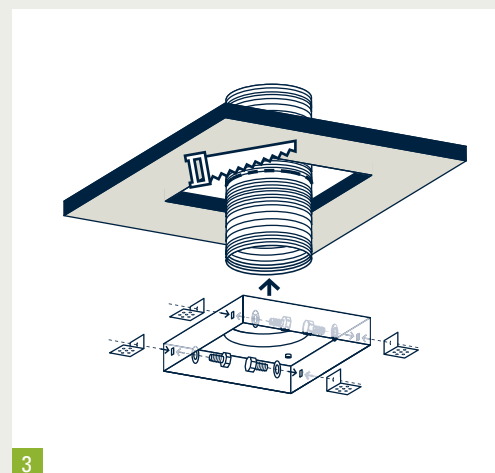
1

Recommended installation for supply air:
Ceiling installation at least 50 cm distance from both sides of corner to vent edges. Wall installation at least 10 cm distance from both sides of corner to vent edges. For exhaust air, no minimum distance.



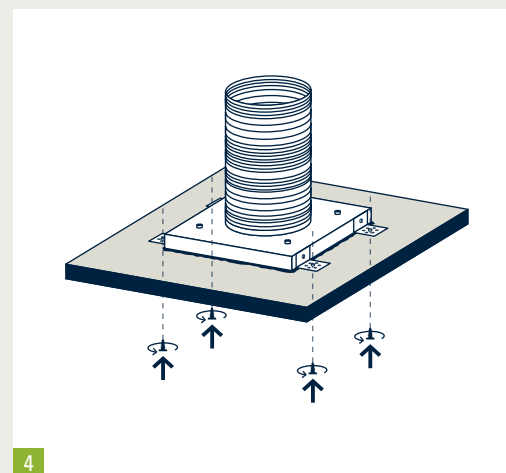
2

Make a cut-out in the drywall ceiling.
Dimensions:
170 mm x 170 mm (Vent ONE PLUS 100)
or 210 mm x 210 mm (Vent ONE PLUS 125)
or 266 mm x 266 mm (Vent ONE PLUS 160)



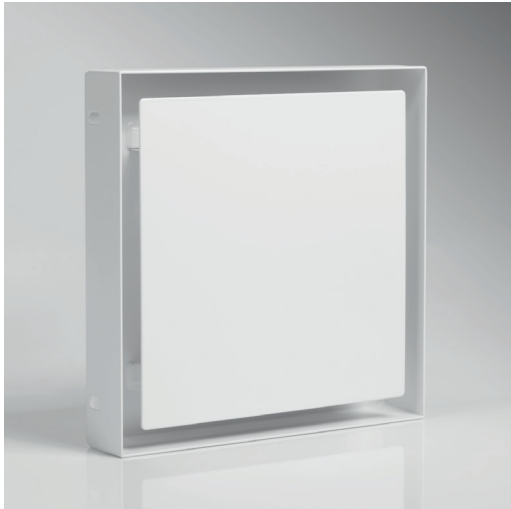
3

Use the vent bolts and washers that come with the vent to loosely fasten all four perforated metal angles to the long holes at the sides of the vent. Cut the flexible tubing to size and use sealing tape to fasten it to the vent connecting piece.



4

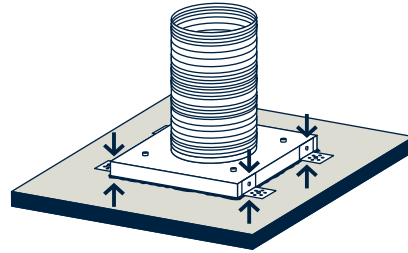
Screw the vent housing into the cut-out in the ceiling (screws not included).



→ INSTALLATION INSTRUCTIONS
FOR DRYWALL

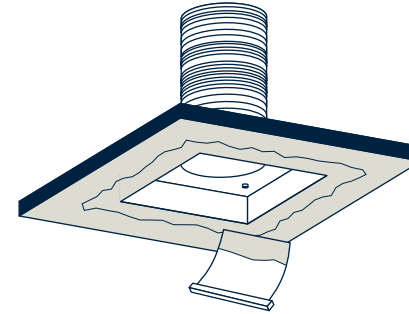
VENT ONE PLUS
100/125/160

→



5

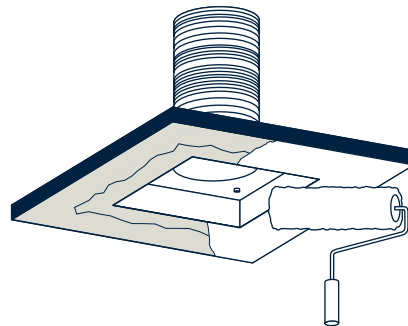
Use the long holes to adjust the housing to be flush with the ceiling.
Tighten the vent bolts.



⚠ Do not damage the powder coating on the vent.

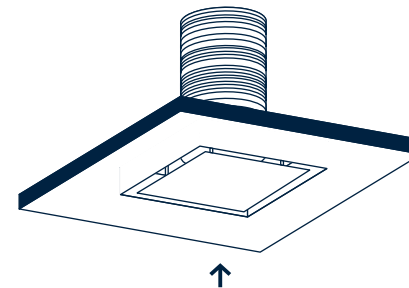
6

Fill the gaps between the housing and the ceiling.



7

After sanding it can be painted.



8

Now the cover can be inserted (see instructions).
The vent can also be painted after a suitable pretreatment.