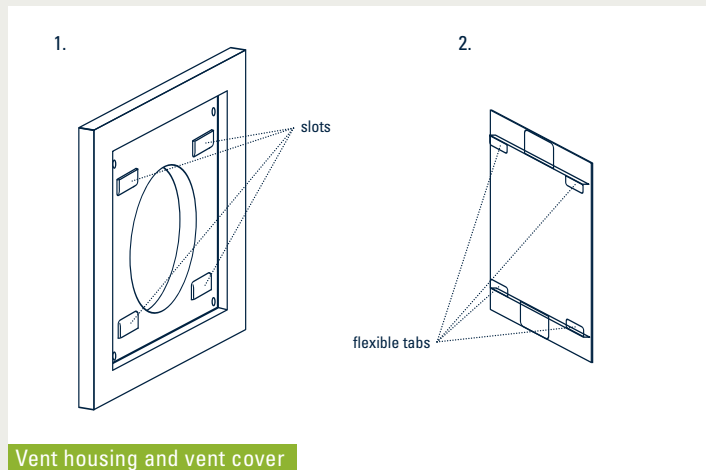


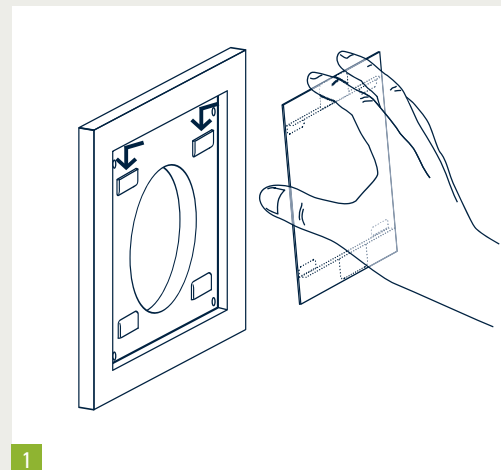
VENT THREE 100/125, FIVE 100, FRAME 100



Vent housing and vent cover

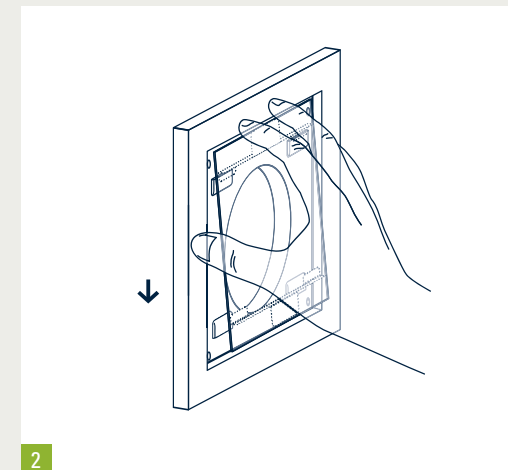
- 1. Vent THREE 100/125 with four slots
- 2. Vent cover with four flexible tabs

Cover installation shown on the example of vent THREE 100/125.
Cover installation of vent FIVE 100 and vent FRAME 100 in the same way.
ATTENTION: To avoid contamination on the vent, it is recommended to wear fabric gloves!



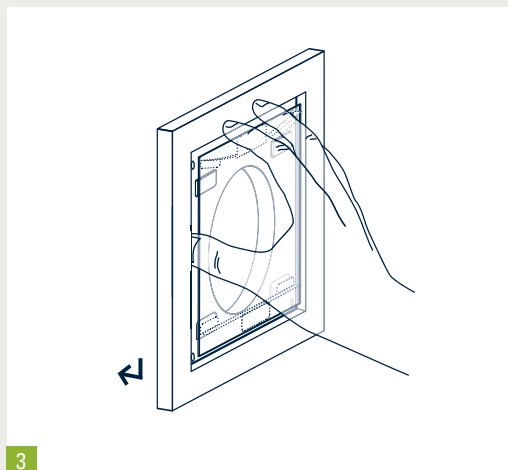
1

Hold the cover firmly on the right and left side. With your index and middle fingers, guide the top vent cover tabs to the top slots and insert them. Hold the cover at a slight angle.



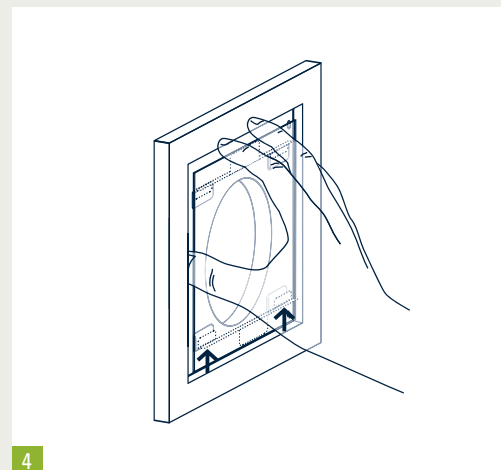
2

Keeping the cover at a slight angle and the tabs inserted, pull the cover toward the other two flexible tabs.



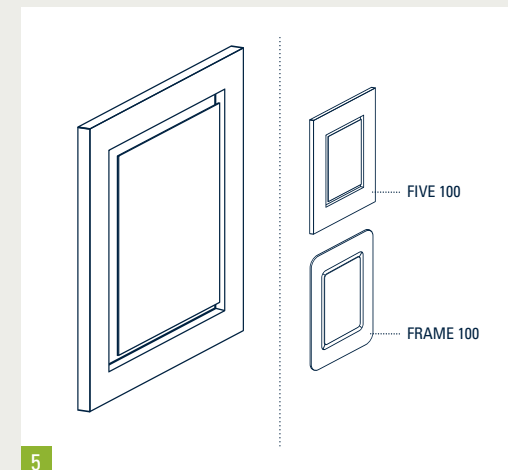
3

Lean the cover onto the vent.



4

Insert the two flexible tabs into the free slots.



5

Now the cover is firmly in position.



→ COVER INSTALLATION

VENT THREE 100/125

VENT FIVE 100

VENT FRAME 100