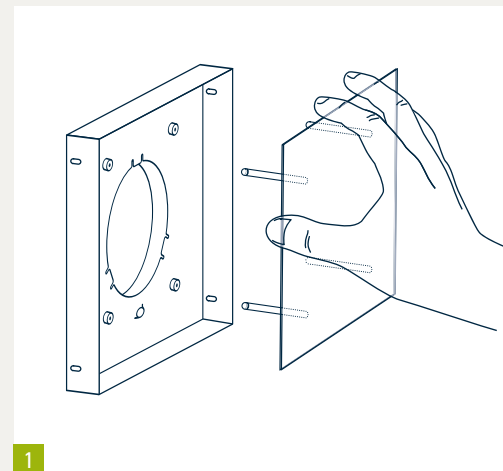


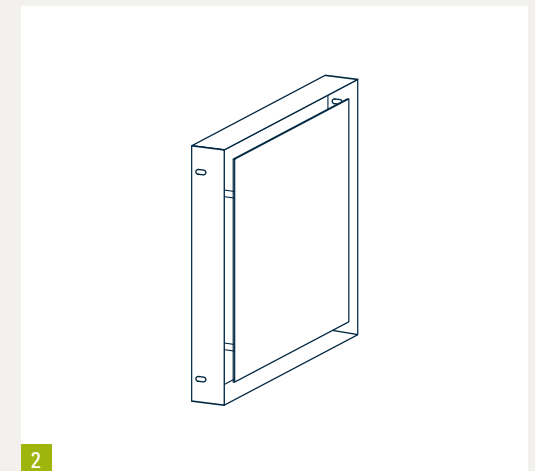
Vent housing and vent cover

1. Vent housing with four bolt holders
2. Vent cover with four retention bolts

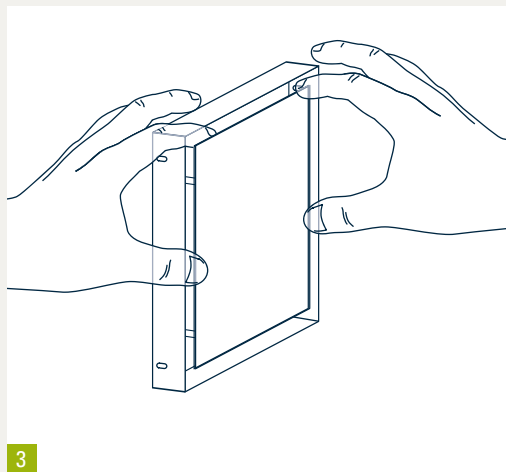
Attention: To avoid contamination on the valve, it is recommended to wear fabric gloves!



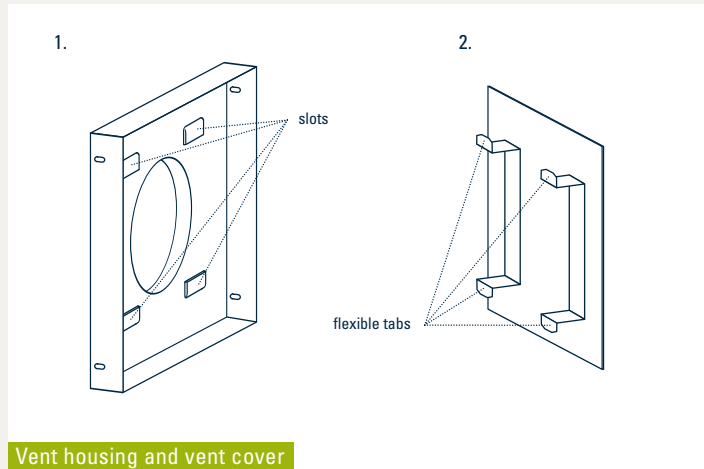
Insert all four retention bolts into the four bolt holders on the valve and gently press until the cover is flush to the valve frame.



Now the cover is firmly in position.



To disassemble the cover: Use both index fingers to reach behind two corners of the valve cover and press gently against the valve frame with your thumb. Repeat this process at the other two corners. In this way, gently pull the retention bolts out of the holders until the cover is completely detached from the valve housing.

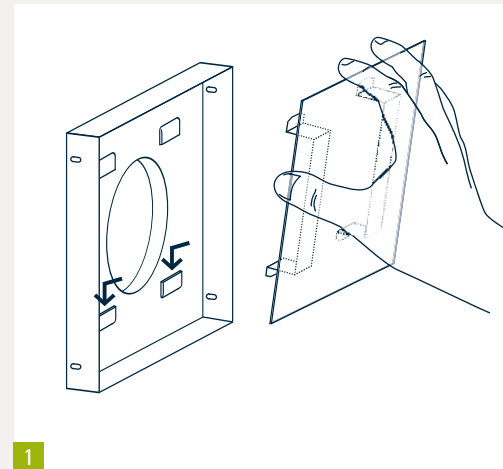


Vent housing and vent cover

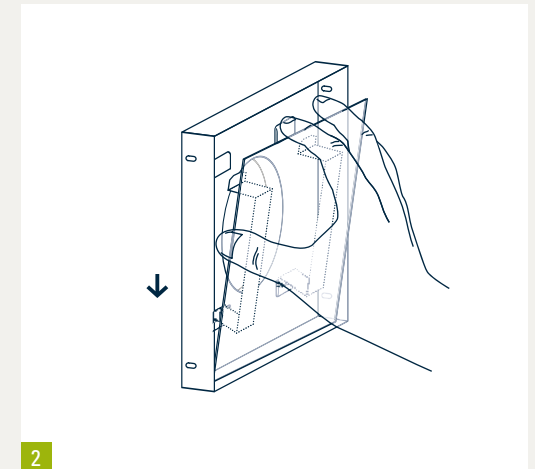
1. Vent housing with four slots

2. Vent cover with four flexible tabs.

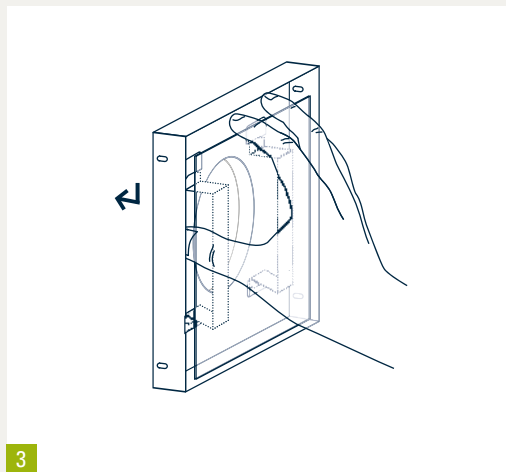
Attention: To avoid contamination on the valve, it is recommended to wear fabric gloves!



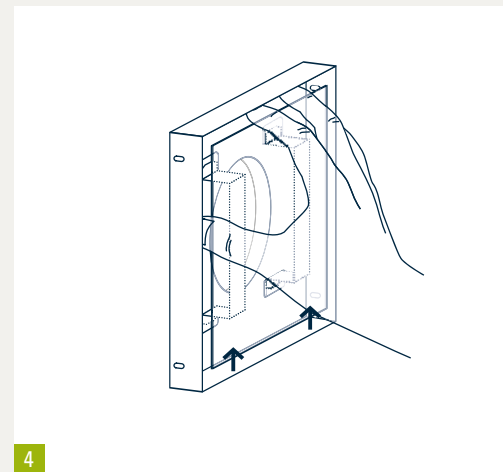
Hold the cover firmly on the right and left side. With your index and middle fingers, guide the vent cover tabs to the slots and insert them. Hold the cover at a slight angle.



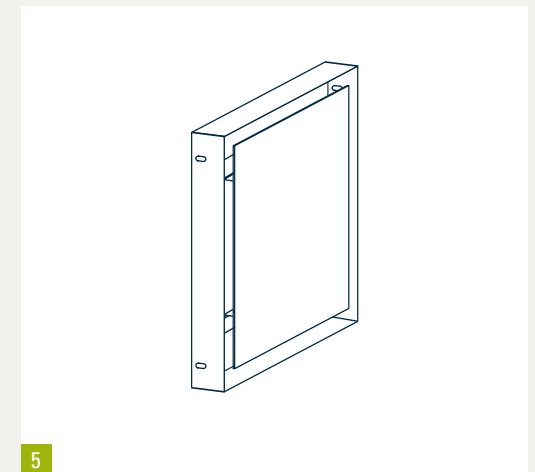
Keeping the cover slightly tilted, pull it down toward the lower flexible tabs.



Lean the cover onto the vent.



Insert the two flexible tabs into the free slots.



Now the cover is firmly in position.