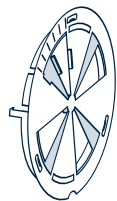
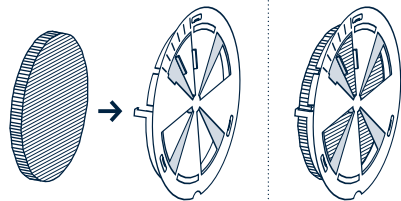


VENT ONE 100/125



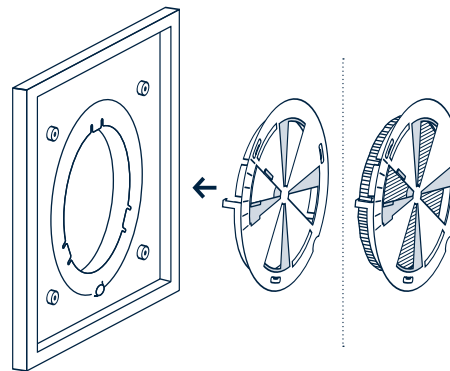
Volume flow regulator

Volume flow regulator for air regulation from Tecanno recessed and surface-mounted vents.



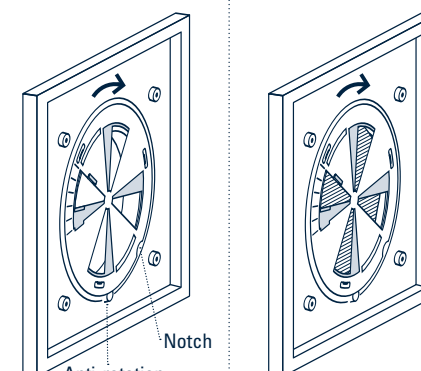
Volume flow regulator and filter

The volume flow regulator can be combined with a Tecanno filter. To do this, insert the filter into the back of the volume flow regulator.



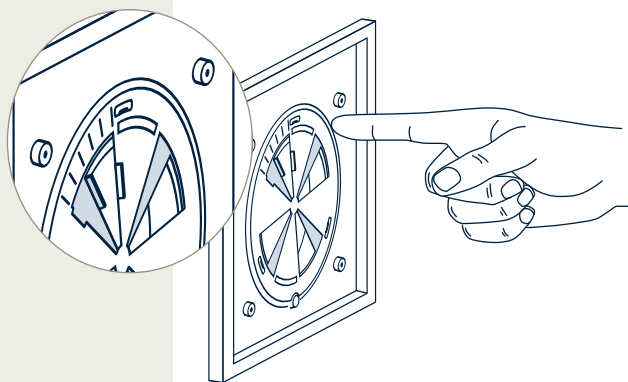
1

Insert the volume flow regulator – with the filter as required - frontally into the free connecting piece of the vent. The accessory can be inserted in any position in the vent.



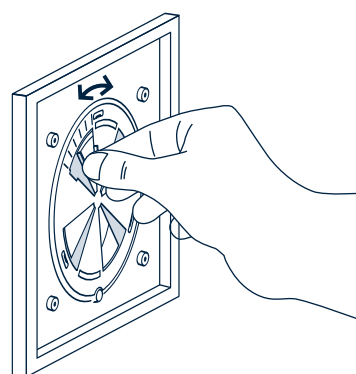
2

To fix the accessory, the notch on the volume flow regulator must be rotated to the anti-rotation device on the vent. The accessory is now firmly integrated into the vent.



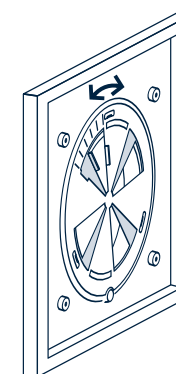
3

The volume flow regulator is infinitely variable. The markings on the edge of the volume flow regulator are orientation for setting the air current. They indicate the flow rate from 0 to 100 percent in increments of 20.



4

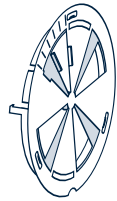
To regulate the supply and exhaust air, turn the volume flow regulator setting ring as required. If the volume flow regulator is combined with a filter, the exhaust air can be regulated and filtered at the same time. Now the cover can be installed (see instructions).



5

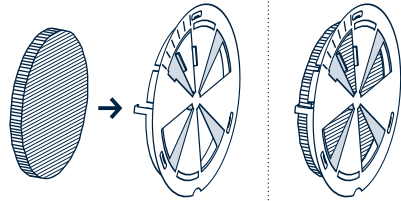
To remove the volume flow regulator in the vent by approx. 45 degrees to the left or right. This removes the notch at the accessory from the anti-rotation device. After that, the volume flow regulator can be easily removed. The volume flow regulator is reusable. The filter can be replaced by a replacement filter.

VENT THREE 100/125, FIVE 100, FRAME 100



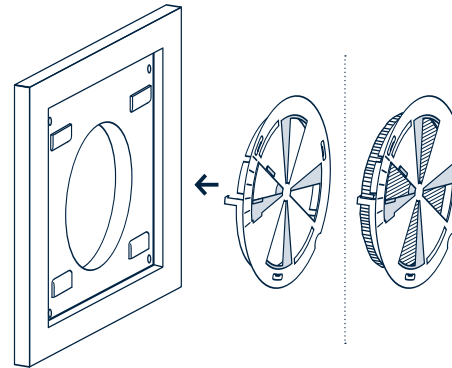
Volume flow regulator

Volume flow regulator for air regulation from Tecanno recessed and surface-mounted vents.



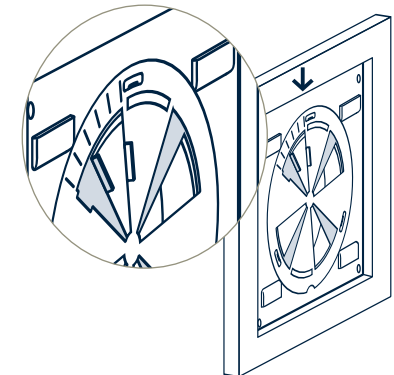
Volume flow regulator and filter

The volume flow regulator can be combined with a Tecanno filter. To do this, insert the filter into the back of the volume flow regulator.



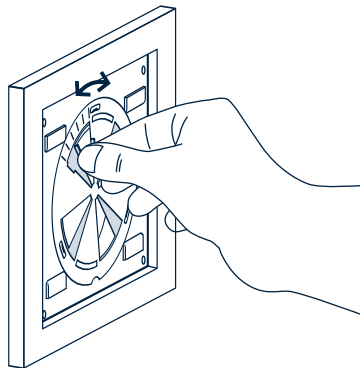
1

Insert the volume flow regulator - with the filter as required - frontally into the free connecting piece of the vent (e.g. Vent THREE) until it fits into place.



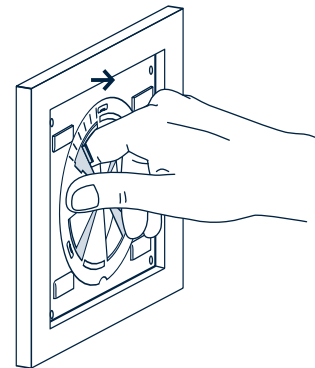
2

The volume flow regulator is infinitely variable. The markings on the edge of the volume flow regulator are orientation for setting the air current. They indicate the flow rate from 0 to 100 percent in increments of 20.



3

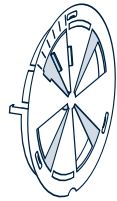
To regulate the supply and exhaust air, turn the volume flow regulator setting ring as required. If the volume flow regulator is combined with a filter, the exhaust air can be regulated and filtered at the same time. Now the cover can be installed (see instructions).



4

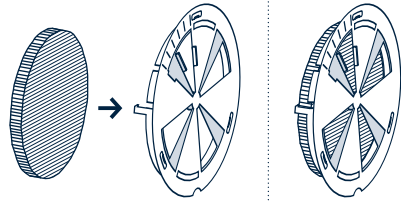
To remove the volume flow regulator, put your finger through the opened volume flow regulator and reach behind it. If there is a filter in it, reach carefully between the volume flow regulator and the filter. Press your thumb against the vent. Use the pressure of your thumb to carefully release the volume flow regulator from the connecting piece. The volume flow regulator is reusable. The filter can be exchanged with a replacement filter. **CAUTION:** The filter may fall out of the volume flow regulator because of the pressure.

VENT ONE PLUS 100/125



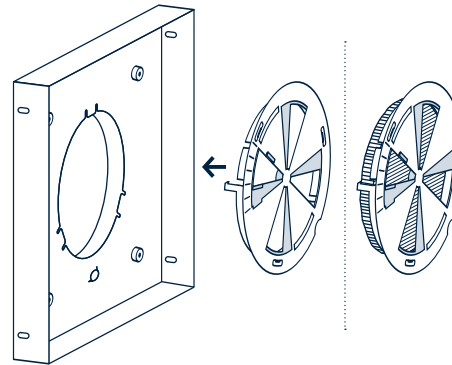
Volume flow regulator

Volume flow regulator for air regulation from Tecanno recessed and surface-mounted vents.



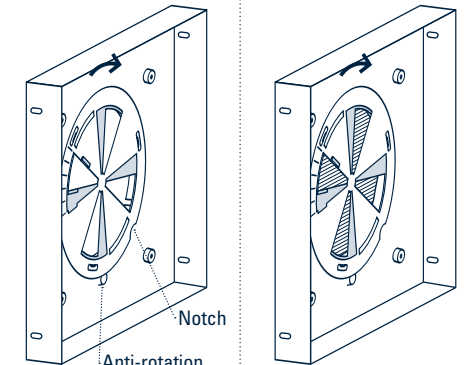
Volume flow regulator and filter

The volume flow regulator can be combined with a Tecanno filter. To do this, insert the filter into the back of the volume flow regulator.



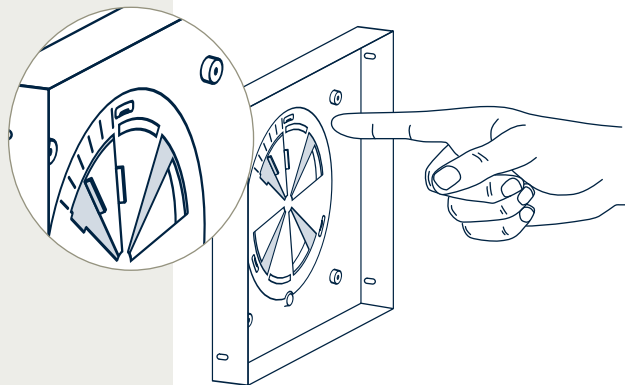
1

Insert the volume flow regulator - with the filter as required - frontally into the free connecting piece of the vent. The accessory can be inserted in any position in the vent.



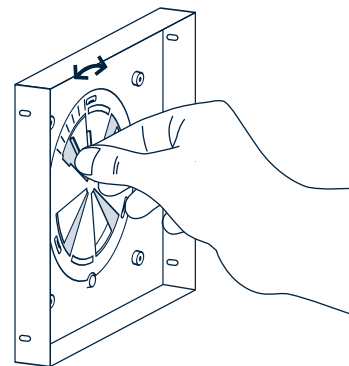
2

To fix the accessory, the notch on the volume flow regulator must be rotated to the anti-rotation device on the vent. The accessory is now firmly integrated into the vent.



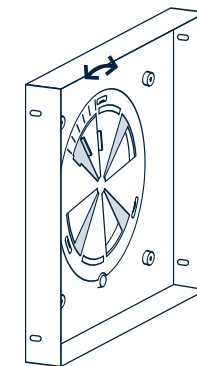
3

The volume flow regulator is infinitely variable. The markings on the edge of the volume flow regulator are orientation for setting the air current. They indicate the flow rate from 0 to 100 percent in increments of 20.



4

To regulate the supply and exhaust air, turn the volume flow regulator setting ring as required. If the volume flow regulator is combined with a filter, the exhaust air can be regulated and filtered at the same time. Now the cover can be installed (see instructions).



5

To remove the volume flow regulator, rotate the accessory in the vent by approx. 45 degrees to the left or right. With this you separate the notch and the anti-rotation device. Now the volume flow regulator can be easily removed. The volume flow regulator is reusable. The filter can be replaced by a replacement filter.