

VOLUME FLOW REGULATOR FOR AIR REGULATION

DESCRIPTION

- Volume flow regulator for infinitely variable air regulation
- For supply or exhaust air
- Insert developed especially for Tecanno air vents
- For use in Tecanno surface-mounted and recessed air vents DN 100
- Can be combined with a filter to allow exhaust air regulation
- Can be replaced by a filter insert with free filtration surface (exhaust air cannot be regulated)
- Protected by patent, made in Germany
- Made of ABS plastic

TECHNICAL DATA

Manufacturer	Tecanno
Type	VOLUME FLOW REGULATOR 100
Weight (g)	23
Material	ABS plastic
Colour	white
Item No.	10100
<hr/>	
REPLACEMENT FILTER	Filter mat, round (5x)
Item No.	30100

i You will find the acoustic data and pressure reductions in the technical data sheets of the vents.

TENDER SPECIFICATION

Tecanno VOLUME FLOW REGULATOR 100 for infinitely variable supply and exhaust air regulation. Can be combined with Tecanno filter. Protected by patent, made in Germany. Made of ABS plastic, white. Manufacturer: Tecanno
Type: VOLUME FLOW REGULATOR 100
Item No.: 10100

CONFIGURATION

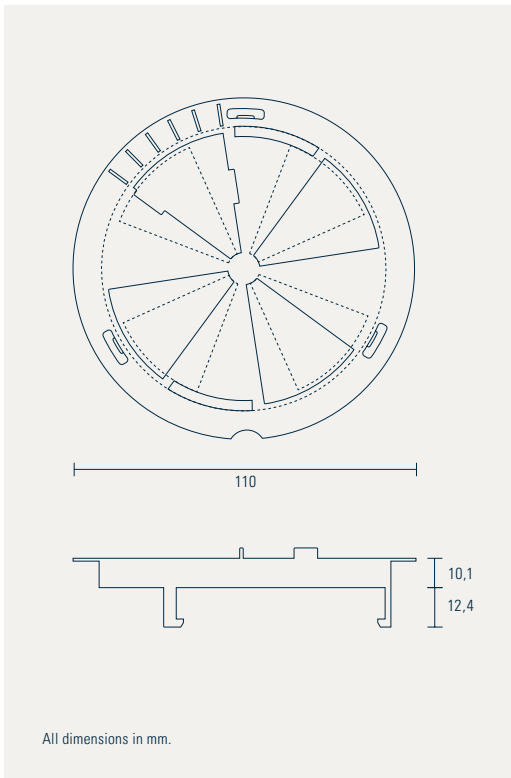
The VOLUME FLOW REGULATOR is inserted frontally into the connecting piece of Tecanno air vents. The vent cover hides it. To set the flow rate, turn the VOLUME FLOW REGULATOR. This enables a variety of acoustic data and pressure reductions. The VOLUME FLOW REGULATOR can be combined with a filter or replaced by a FILTER INSERT with a free filtration surface.

ORDERING INFORMATION

Accessory: VOLUME FLOW REGULATOR (Item No. 10100)
The VOLUME FLOW REGULATOR can be combined with a filter: REPLACEMENT FILTER (Item No. 30100)



E.g.: Vent ONE and Vent ONE PLUS with VOLUME FLOW REGULATOR



All dimensions in mm.