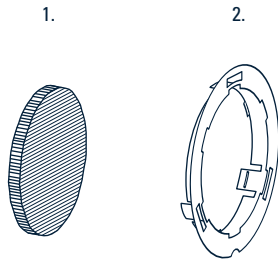
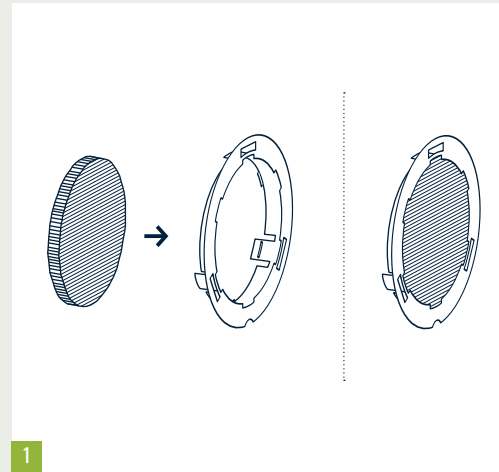


VENT ONE 100/125

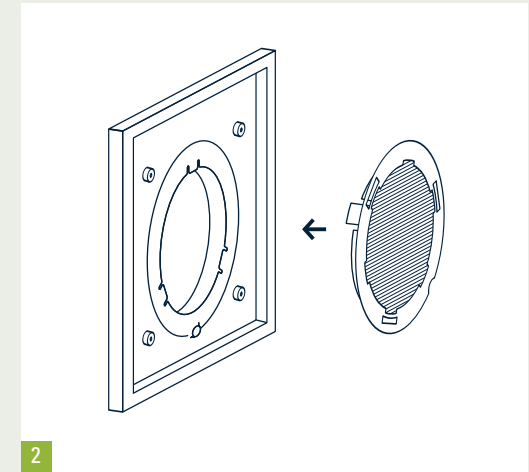


Filter and filter ring

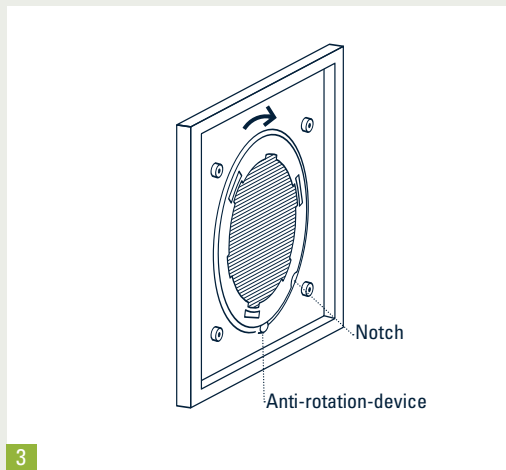
1. Filter material
2. Filter ring



1
Insert the filter into the back of the filter ring as shown in fig. 1.



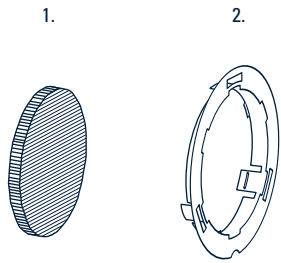
2
Insert the filter frontally into the free connecting piece of the vent. The filter ring can be inserted in any position in the vent.



3
To fix the accessory, the notch on the filter ring must be rotated to the anti-rotation device on the vent. The accessory is now firmly integrated into the vent. The cover can be installed (see instructions).

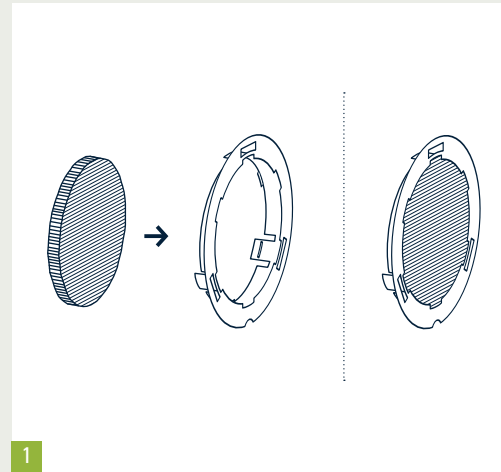


4
To replace the filter material, rotate the filter ring in the vent by approx. 45 degrees to the left or right. With this you separate the notch and the anti-rotation device. Now the filter can be easily removed. The filter ring is reusable with a replacement filter.



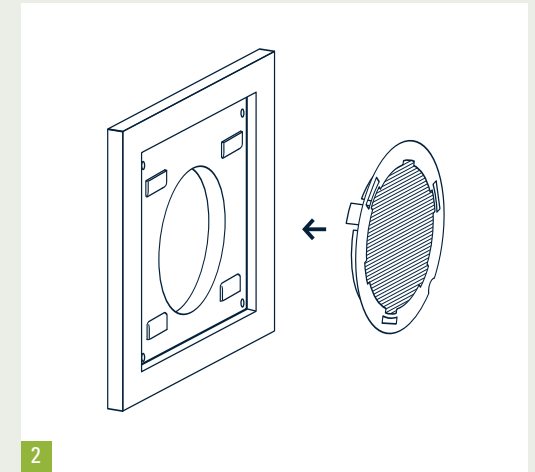
Filter and filter ring

- 1. Filter material
- 2. Filter ring



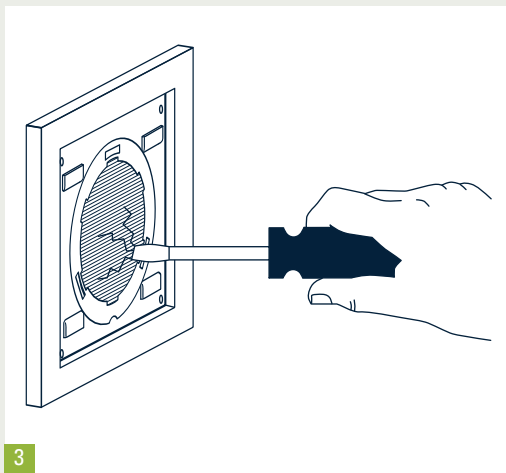
1

Insert the filter into the back of the filter ring as shown in fig. 1.



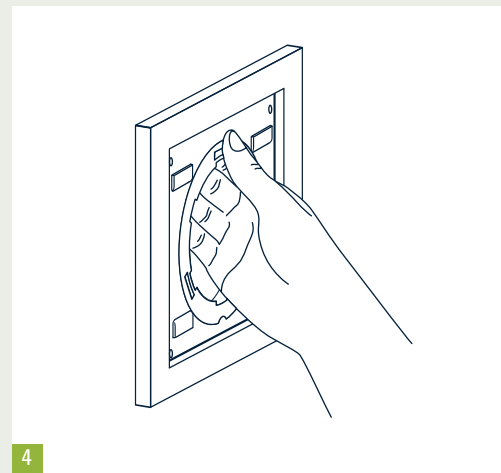
2

Insert the filter frontally into the free connecting piece of the vent (e.g. Vent THREE) until it fits into place. Now the cover can be installed (see instructions).



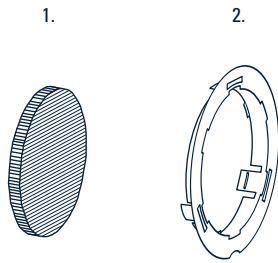
3

To replace the filter, insert a screwdriver or similar object into the slit between the filter ring and the filter material. Then use the screwdriver to pull the filter out of the ring.
CAUTION: This may damage the filter ring and material.



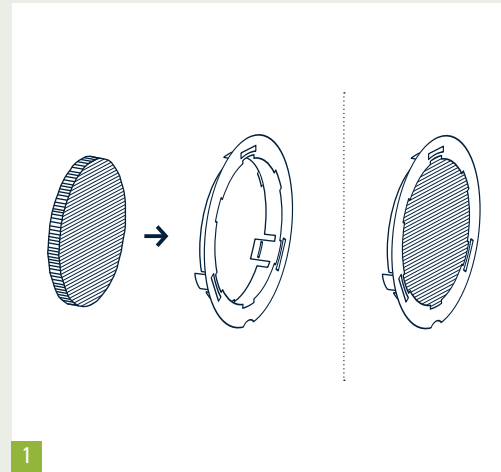
4

To disassemble the filter ring, put your hand through the ring and use the index finger to reach behind one of the three long filter prongs. Use your thumb and index finger to pull the prong out of the anchor. After removing all three prongs, pull the ring out of the vent connecting piece. The filter ring is reusable with a replacement filter.

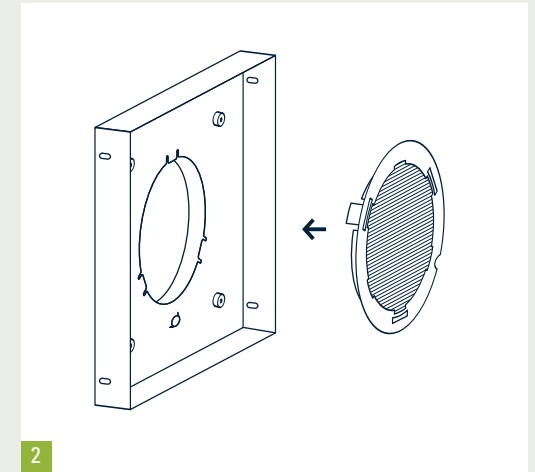


Filter and filter ring

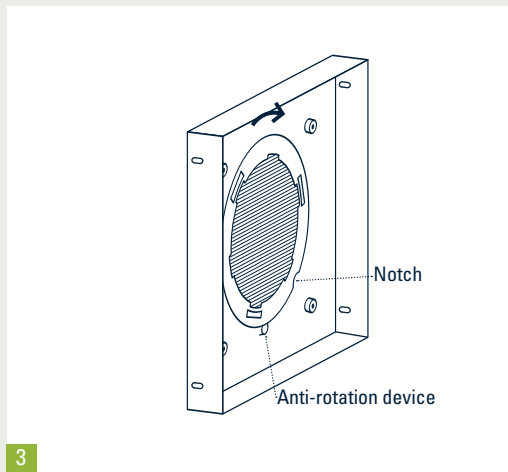
- 1. Filter material
- 2. Filter ring



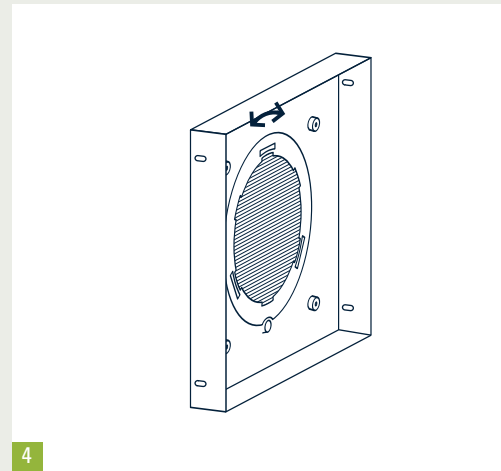
1
Insert the filter into the back of the filter ring as shown in fig. 1.



2
Insert the filter frontally into the free connecting piece of the vent. The filter ring can be inserted in any position in the vent.



3
To fix the accessory, the notch on the filter ring must be rotated to the anti-rotation device on the vent. The accessory is now firmly integrated into the vent. The cover can be installed (see instructions.)



4
To replace the filter material, rotate the filter ring in the vent by approx. 45 degrees to the left or right. With this you separate the notch and the anti-rotation device. Now the filter can be easily removed. The filter ring is reusable with a replacement filter.