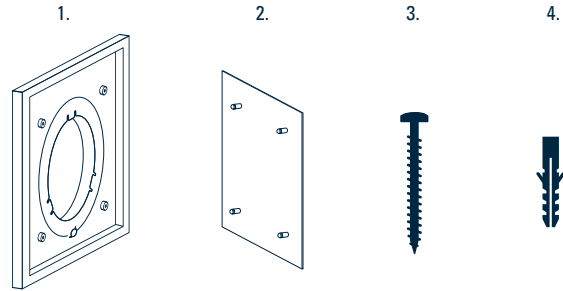
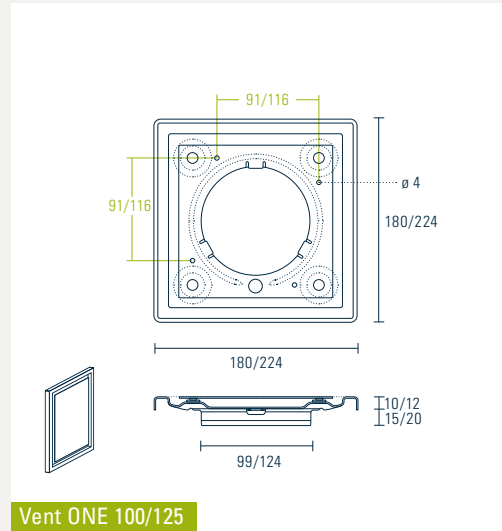


# VENT ONE 100/125 (THREE 100/125, FIVE 100, FRAME 100)



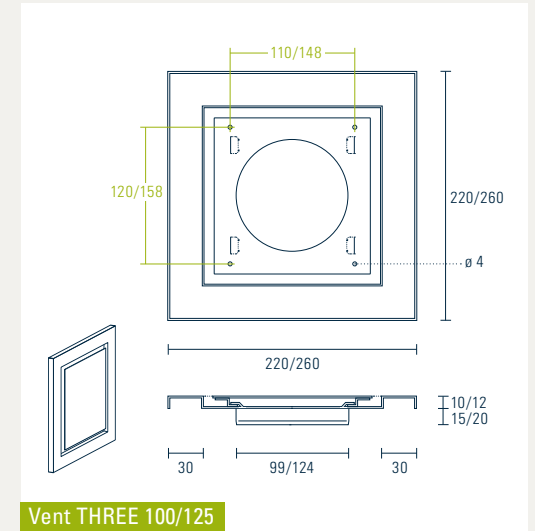
**Scope of delivery**

- 1. Vent housing (1x), e.g. Vent ONE
  - 2. Vent cover (1x)
  - 3. Vent bolts PZ, galvanised\* (4x)
  - 4. Expansion anchor F Nylon\* (4x)
- \*Suitability should be tested by the customer.



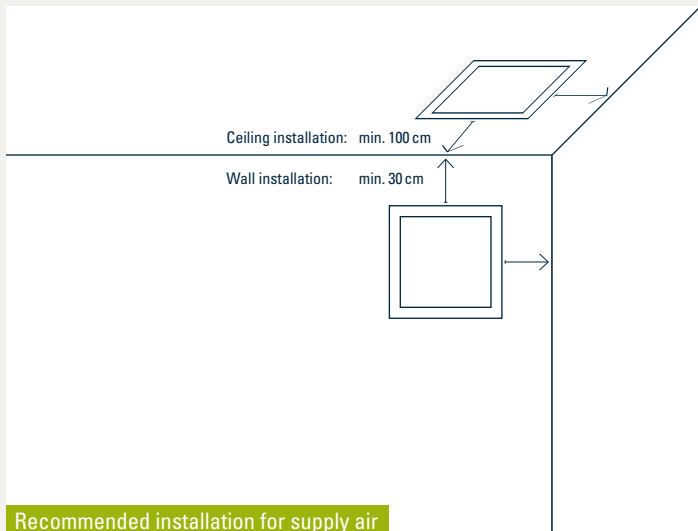
**Vent ONE 100/125**

Technical drawing  
All dimensions in mm



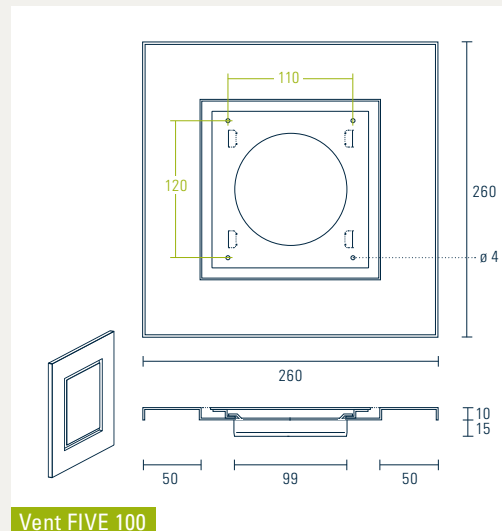
**Vent THREE 100/125**

Technical drawing  
All dimensions in mm



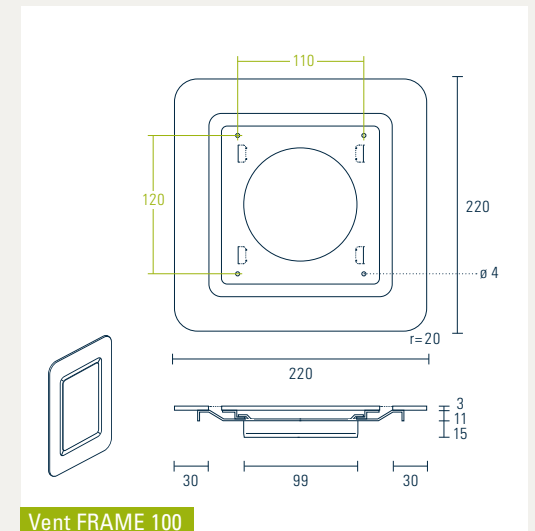
**Recommended installation for supply air**

Ceiling installation at least 100 cm distance from both sides of corner to vent edges.  
Wall installation at least 30 cm distance from both sides of corner to vent edges.  
For exhaust air, no minimum distance.



**Vent FIVE 100**

Technical drawing  
All dimensions in mm



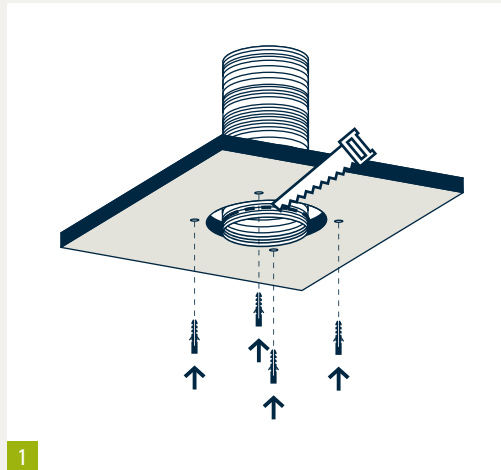
**Vent FRAME 100**

Technical drawing  
All dimensions in mm



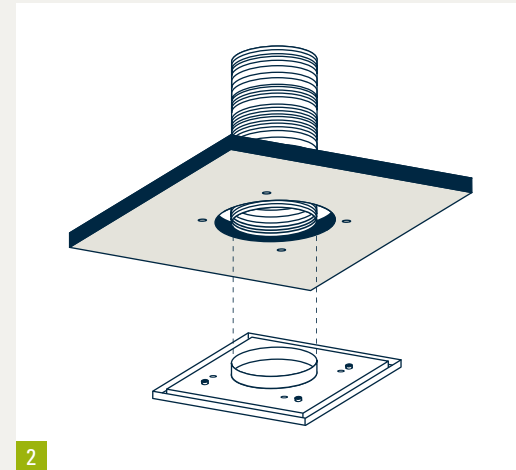
→ INSTALLATION INSTRUCTIONS  
FOR CEILING AND WALL

**VENT ONE 100/125**  
**VENT THREE 100/125**  
**VENT FIVE 100**  
**VENT FRAME 100**



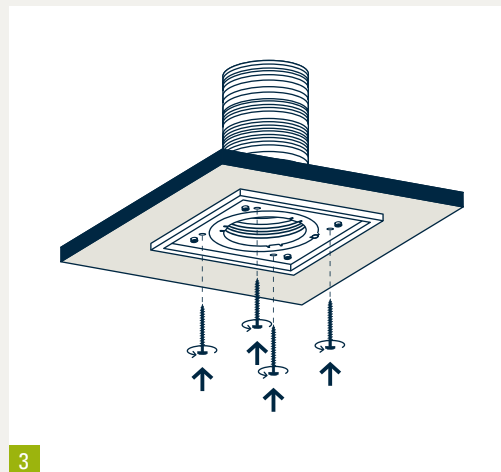
1

Shorten the vent pipe as necessary. Mark the screw holes ( $\varnothing$  4 mm) of the vent and drill pilot holes in the right size for your screws. Insert the expansion anchor. Compatibility should be tested by the customer.



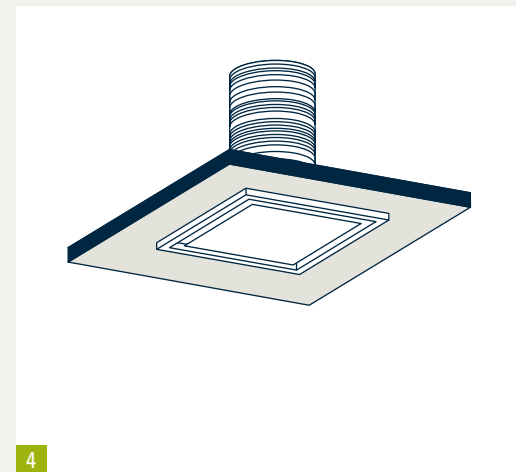
2

Insert the vent housing into the vent pipe and fix it with a sealing tape (provided by the customer).



3

Screw the vent housing on the ceiling or wall.



4

Now the cover can be installed (see instructions).