

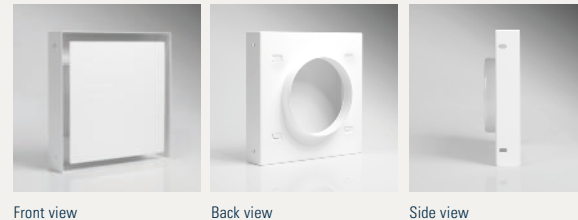
RECESSED VENT FOR SUPPLY AND EXHAUST AIR

DESCRIPTION

- Recessed vent for supply and exhaust air, for flexible use in all interior spaces
- Flush, recessed installation in ceilings and walls; comes with mounting bracket and cardboard guard against construction site dust
- 100 percent free cross section for DN 160 air ducts
- Flush cover guarantees unchanging design
- Symmetrical, flow-optimised passage of air
- Protected design patent, handcrafted in Germany
- Made of sheet steel with electrostatic powder coating (RAL colour 9016-20, layer thickness approx. 60 µm)

TECHNICAL DATA

Manufacturer	Tecanno
Type	Vent ONE PLUS 160
Dimensions L x W x H (mm)	256 x 256 x 40
Connecting Piece ø (mm)	159
Weight (g)	1216
Material	Sheet steel with electrostatic powder coating
Standard RAL colour	9016-20 layer thickness approx. 60 µm
Item No.	0101160-9016-20



TENDER SPECIFICATION

Tecanno air vent ONE PLUS 160 for supply and exhaust air in design-type construction. For installation in ceilings and walls via 160 mm connecting pieces. 100 percent freely usable cross section. The flush cover ensures a consistently slim design with a symmetrical, flow-optimized air throughput. Vent made of sheet steel with electrostatic powder coating (RAL 9016-20). Handcrafted in Germany. Registered design patent.

Manufacturer: Tecanno

Type: Vent ONE PLUS 160

Dimensions L x W x H (mm): 256 x 256 x 40

Item No.: 0101160-9016-20

CONFIGURATION

The vent ONE PLUS 160 is suitable for supply and exhaust air. It has a 100 percent free cross section for DN 160 air ducts. The valve has no VOLUME FLOW REGULATOR or FILTER INSERT. The supply and exhaust air must be centrally regulated. The flush cover ensures a consistently clear design.

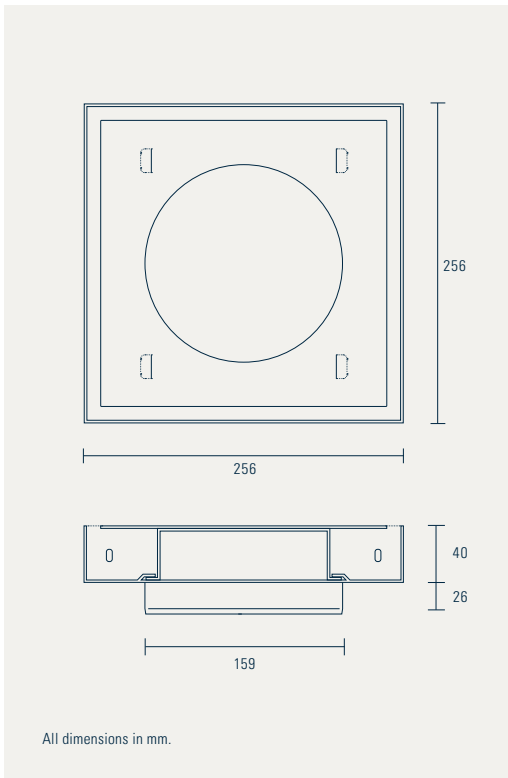
ORDERING INFORMATION

Air vent: Vent ONE PLUS 160 (Item-No. 0101160-9016-20)

→ ACOUSTIC DATA AND PRESSURE REDUCTIONS
VENT ONE PLUS 160

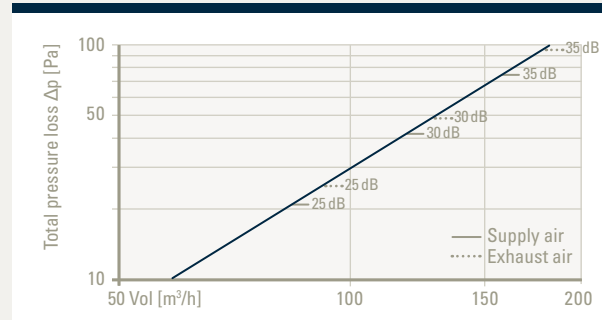
DEFINITIONS

Vol in m³/h: Volume flow rate per air vent
 Δp in Pa: Total pressure loss
 L_{WA} in dB(A): A-weighted sound power level



SOUND POWER LEVEL/PRESSURE REDUCTION

The valve has a freely usable cross-section without volume flow regulation. The curve in the graph below shows the relationship between the volume flow (m³/h) and the total pressure loss (Pa). Sound power level (dB(A)) marked on the graph.



TRAJECTORY LENGTH

The trajectory length $l_{0,2}$ displayed in the diagram indicates the distance between outlet and the point in the air current (Isotherm) at which the speed drops to 0.2 m/s.

Recommended installation for supply air: Ceiling installation: 0.5 m distance from both sides of corner to vent edges. Wall installation: 0.1 m distance from both sides of corner to vent edges. For exhaust air, no minimum distances.

