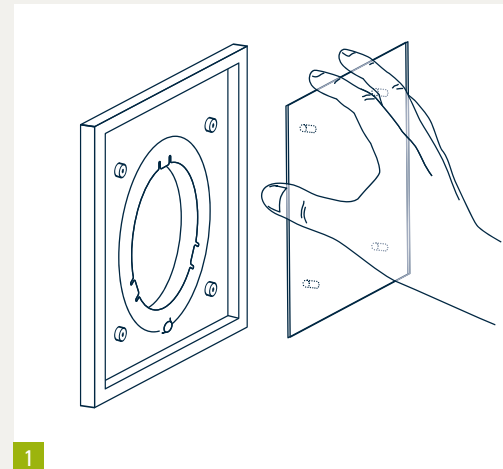


Vent housing and vent cover

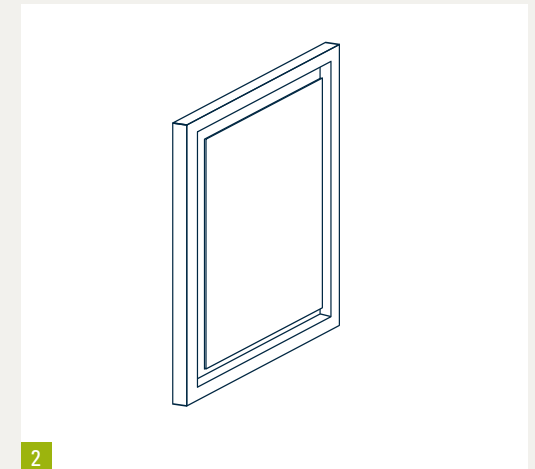
- 1. Vent One 100 /125 with four bolt holders
- 2. Vent cover with four retention bolts

Attention: To avoid contamination on the vent, it is recommended to wear fabric gloves!



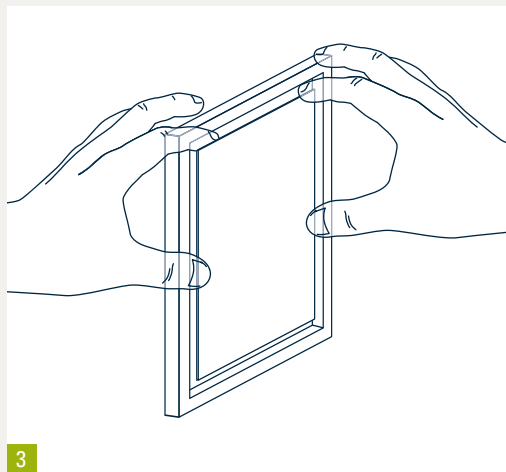
1

Insert all four retention bolts into the four bolt holders on the valve and gently press until the cover is flush to the valve frame.



2

Now the cover is firmly in position.



3

To disassemble the cover: Use both index fingers to reach behind two corners of the valve cover and press gently against the valve frame with your thumb. Repeat this process at the other two corners. In this way, gently pull the retention bolts out of the holders until the cover is completely detached from the valve housing.



→ COVER INSTALLATION

VENT ONE 100/125